

DEPARTMENT OF MECHANICAL ENGINEERING

WEBINAR REPORT ON “VACUUM THERMOFORM MOLD TOOL DESIGN”.

HELD ON 24-06-2021

Coordinators

Dr. R. Ramesh

Dr. C. Senthamarai Kannan

Mr. G Kirubakaran

Dr. S. RAMESH BABU, M.E., Ph.D
Professor & Head
Department of Mechanical Engineering
Sri Venkateswara College of Engineering
Pennalur, Sriperumbudur (TK) - 602117.
Tamilnadu, INDIA.

TABLE OF CONTENTS

S.No.	Description
1.	Circular - Communication Medium & Proof
2.	Brochure
3.	Program Schedule/Agenda
4.	Resource Person Details
5.	Participants Attendance List
6.	Photographs
7.	Programme Report
8.	Sample Certificate
9.	Sample Participant Feedback Form

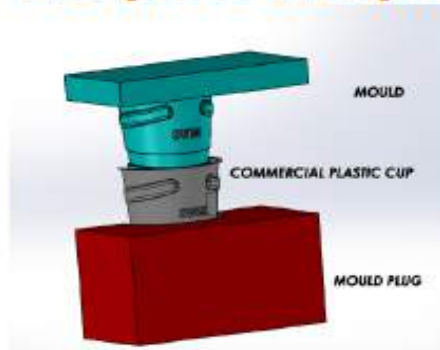
Department of Mechanical Engineering

Cordially invites you for a
Webinar on
Vacuum Thermoform Mold Tool Design

Sankar Mahalingam

Managing Director,
Profenaa Industrial Training Centre, Erode

24th June 2021
4:00 pm to 5:30 pm



Register @ <https://forms.gle/yyX5f5zcG1Wzw7Xq6>
Join with us using link <https://meet.google.com/ttf-bcvh-thu>

E-Certificates will be issued for all participants after successful registration and feedback

Coordinators
Dr. R. Ramesh
Professor
Dr. C. Senthamarai Kannan
Assistant Professor
Mr. G. Kirubakaran
Assistant Professor

Convenor
Dr. S. Ramesh Babu
Head of the Department
Mechanical Engineering

svce.ac.in





KIRUBAKARAN G MEC <kirubakaran@svce.ac.in>

Fwd: Invitation to register for Expert webinar on "Vacuum Thermoform Mold Tool Design"

4 messages

R Ramesh <rameshraj@svce.ac.in>
To: KIRUBAKARAN G MEC <kirubakaran@svce.ac.in>

Sun, Jun 20, 2021 at 11:16 AM

Thanking you

With Regards,

Dr.R.Ramesh, M.E., Ph.D (IIT M)
Professor, Mechanical Engineering,
Dean -Academics,
Sri Venkateswara College of Engineering,
Pennalur, Sriperumbudur Tk,
PIN: 602117.
Ph:044-27152000:: Extn:403
Mobile:09445247374

Email: rameshraj@gmail.com

----- Forwarded message -----

From: **R Ramesh** <rameshraj@svce.ac.in>
Date: Sun, Jun 20, 2021 at 11:13 AM
Subject: Invitation to register for Expert webinar on "Vacuum Thermoform Mold Tool Design"
To: Hod Mech <hodme@svce.ac.in>

Dear sir ,

Sub: invitation to attend expert webinar on "Vacuum Thermoform Mold Tool Design"

kindly forward this mail to our college faculty group.

Dear Sir/Madam,Greetings from the **Department of Mechanical Engineering, Sri Venkateshwara College of Engineering.**

We are pleased to invite you to register for the Expert Webinar on

"Vacuum Thermoform Mold Tool Design", delivered by**Sankar Mahalingam,****Managing Director,****Profenaa Industrial Training Centre, Erode**24th June, 2021 (Thursday) from 4.00 PM to 5.30 PM (IST).

For registration, please click here

<https://forms.gle/yyX5f5zcG1Wzw7Xq6>

Also, we request you to circulate among your known contacts.

Thank you in advance.

With Regards

Dr S. Ramesh Babu, Convenor and HoD-MEC

Dr. R. Ramesh, Coordinator

Dr C. Senthamarai Kannan, Coordinator

Mr. G. Kirubakaran, Coordinator

Department of Mechanical Engineering
Sri Venkateswara College of Engineering
Pennalur, Sriperumbudur (TK)

Chennai, Tamil Nadu. 602 117

Thanking you

With Regards,

Dr.R.Ramesh, M.E., Ph.D (IIT M)

Professor, Mechanical Engineering,
Dean -Academics,
Sri Venkateswara College of Engineering,
Pennalur, Sriperumbudur Tk,
PIN: 602117.
Ph:044-27152000:: Extn:403
Mobile:09445247374

Email: rameshraj@gmail.com



Mold Design webinar brochure.pdf

694K

KIRUBAKARAN G MEC <kirubakaran@svce.ac.in>
To: profenaa.erd@gmail.com

Sun, Jun 20, 2021 at 11:28 AM

Dear sir ,

[Quoted text hidden]

Dear Sankar,

The invitation and brochure is prepared and attached herewith for your kind information.

Kindly forward this invitation to your known contacts.

Thanks & Regards

Mr.G.KIRUBAKARAN,

Assistant Professor,

Department of Mechanical Engineering,
Sri Venkateswara College of Engineering,
Pennalur, Sriperumbudur-602117.

 **Mold Design webinar brochure.pdf**
694K

KIRUBAKARAN G MEC <kirubakaran@svce.ac.in>
To: MAHESWARAN M MEC <maheswaran@svce.ac.in>

Sun, Jun 20, 2021 at 11:39 AM

[Quoted text hidden]

 **Mold Design webinar brochure.pdf**
694K

Hod Mech <hodme@svce.ac.in>
To: Faculty Group <svcefaculty@svce.ac.in>

Mon, Jun 21, 2021 at 6:10 PM

Dear Professor

For your Information

--

With Regards,

Dr. S. Ramesh babu

Professor and Head

Department of Mechanical Engineering
Sri Venkateswara College of Engineering
No.1, Pennalur, Irungattukottai Post,
Sriperumbudur Taluk. - 602 117.
Ph.: +91-44-2715 2000 Ext.: 400
Mobile No.: +91-99624 86928

----- Forwarded message -----

From: **R Ramesh** <rameshraj@svce.ac.in>

[Quoted text hidden]

[Quoted text hidden]

 **Mold Design webinar brochure.pdf**
694K

Program Schedule

- **Prayer Song**
- **Welcome Address by**
Dr R Ramesh
- **Introduction to Chief Guest**

Dr C Senthamarai Kannan

- **Expert talk**

Dr. Sankar Mahalingam

**Managing Director
Profenaa Industrial Training Centre
Erode**

- **Questionnaire and Feedback**
- **Vote of Thanks by**

Mr. G Kirubakaran

Participant's list

S.No	Name of the Participant	Name of the College	Designation	Place
1.	Dr.T.Jayakumar	AMET UNIVERSITY	Assistant Professor	Chennai
2.	Mrs.S.Thanga Selvi	Tamil nadu open university	Student	Sankarankovil
3.	Mr. R. Gokula Krishnan	Sri Venkateswara College of Engineering	Student	Theni
4.	Mr.Akash	Sri Venkateswara College of engineering	Student	Sriperumbudur, Chennai
5.	Mr. J Darshan	SVCE	Student	chennai
6.	Dr. B. Iftekhhar Hussain	BAPATLA ENGINEERING COLLEGE	Associate Professor	BAPATLA-522102, GUNTUR DISTRICT, ANDHRA PRADESH
7.	Kumaraswamy A	Sri Venkateswara College of Engineering	Assistant Professor	Chennai
8.	Dr M.Gajendiran	SRI VENKATESWARA COLLEGE OF ENGINEERING	Assistant Professor	SRIPERUMBUDUR
9.	Mr.Ashwin Kumar.V	Sri Venkateswara College of Engineering, Sriperumbudur	Student	Chennai
10.	Dr.S.Natarajan	Sri Venkateswara College of Engineering	Assistant Professor	Sriperumbudur
11.	J Sivaramapandian	SRI VENKATESWARA COLLEGE OF ENGINEERING	Assistant Professor	SRIPERUMBUDUR
12.	Mr.S Justin Kiran Kumar	SRI VENKATESWARA COLLEGE OF ENGINEERING	Student	TAMILNADU
13.	Abishek G	SRI VENKATESWARA COLLEGE OF ENGINEERING	Student	CHENNAI
14.	Mr Ahkash.R	Sri venkateswara college of engineering	Student	Chennai
15.	Mr. B. Jeyaraman	SRI VENKATESWARA COLLEGE OF ENGINEERING	Student	CHENNAI
16.	Mr.M.Balakumar	Sri Venkateswara College of Engineering	Assistant Professor	Pennalur
17.	Mr. C.D. Nithish Vasand	SVCE	Student	CHENNAI
18.	Mr A.Vignesh	Sri Venkateswara College of Engineering	Student	Sriperambathur
19.	S.Hari Haran	Shri venkateswara college of engineering	Student	Ranipet
20.	Joseph C Joy	SVCE	Student	Chennai
21.	Mr Aatheeshwar G	SRI VENKATESWARA COLLEGE OF ENGINEERING	Student	Chennai

22.	Gokul Krishnan A	SVCE	Student	CHENNAI
23.	Kaviyarasan R	Sri Venkateswara College of Engineering	Student	Namakkal
24.	Mr. Meer Thahir	Sri Venkateshwara College of Engineering	Student	Chennai
25.	Mr. Vijay V	SRI VENKATESWARA COLLEGE OF ENGINEERING	Student	CHENNAI
26.	Mr B.Aravindan	Sri Venkateshwara College of engineering	Student	Chennai
27.	Dr.S.Muniraj	Sri Venkateswara College of Engineering	Assistant Professor	Kanchipuram
28.	Mr. Charan.P	Sri Venkateswara College of Engineering	Student	Sriperumbadur
29.	Sivaprasath	Sri venkateshwara college of engineering	Student	T
30.	Mr. M. Maheswaran	SRI VENKATESWARA COLLEGE OF ENGINEERING	Assistant Professor	Chennai
31.	Mr R.Giri	SRI VENKATESWARA COLLEGE OF ENGINEERING	Student	THIRUVALANGADU
32.	Mr.A.Anton Jerome	SRI VENKATESHWARA COLLEGE OF ENGINEERING	Student	CHENNAI
33.	Mr. Revanth Akilan J M	Sri venkateswara college of engineering	Student	Vandavasi
34.	Dr. Ponnuvel S	Sri Venkateswara College of Engineering	Associate Professor	Chennai
35.	Suriya.S	Sri venkateswara college of engineering	Student	Chennai
36.	Mr G Infant Maria Nelson	Sri Venkateswara College of Engineering	Student	Chennai
37.	Mr. Sathish Kumar M	MAM College Of Engineering And Technology	Student	TRICHY
38.	V.Saran	Sri Venkateswara college of engineering	Student	Chennai
39.	Mr Melvin Rosoaario.A	SRI VENKATESWARA COLLEGE OF ENGINEERING	Student	CHENNAI
40.	Sudarshan S	SRI VENKATESWARA COLLEGE OF ENGINEERING	Student	chennai
41.	Mr. P. Ramanathan	AMET Deemed to be University	Assistant Professor	Chennai
42.	Ragul S	Sri Venkateswara College of engineering	Student	Sriperumbudur
43.	Mr. Anushyanth	Sri Venkateswara College of Engineering	Student	Thanjavur
44.	Mr.Syed Asmath S	Sri Venkateswara College of Engineering	Student	Sriperambudur
45.	Mr Manikandan J	Sri Venkateswara College of engineering	Student	Dharmapuri

46.	Mr. Tharun.M.S.K	SRI VENKATESWARA COLLEGE OF ENGINEERING	Student	CHENNAI
47.	Mr.Hemanth Vignesh M.P	Sri Venkateswara College Of Engineering	Student	Sriperumbudur, Chennai, Tamil Nadu.
48.	Mr. Lohesh M V	sri venkateswara college of engineering	Student	Chennai
49.	Mr.S.Ponsurya	Sri Venkateswara College of engineering	Student	Erode
50.	Dr. S. Gopinath	SVCE	Professor	Chennai
51.	Mr Dillirajan K	SRI VENKATESWARA COLLEGE OF ENGINEERING	Student	CHENNAI
52.	Mr. M. Arulkumar	Sri Venkateswara College of Engineering	Assistant Professor	Chennai
53.	Mr. Keerthivarman.A	Sri Venkateswara College of engineering	Student	Sriperumbudur
54.	Mr. Magesh Ram R	Sri Venkateshwara college of engineering	Student	Chennai
55.	Dr. A. Bhaskaran	Sri Venkateswara College of Engineering	Professor	Sriperumbudur
56.	Dr V Sridharan	Sri Venkateswara College of Engineering	Assistant Professor	Sriperumbudur
57.	Dr M Mohandass	Sri Venkateswara College of Engineering	Associate Professor	Sriperumbudur
58.	Dr M Prem Ananth	Sri Venkateswara College of Engineering	Associate Professor	Sriperumbudur
59.	Dr S Ilayavel	Sri Venkateswara College of Engineering	Associate Professor	Sriperumbudur
60.	Dr P raghu	Sri Venkateswara College of Engineering	Assistant Professor	Sriperumbudur



Dr. R. Ramesh



Dr. C. Senthamarai Kannan



Mr. G Kirubakaran

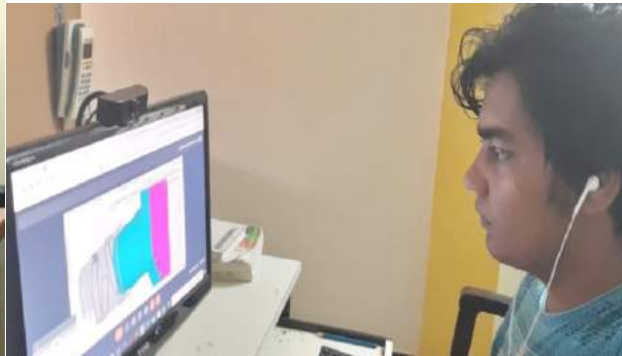


Dr. S. RAMESH BABU, M.E., Ph.D
 Professor & Head
 Department of Mechanical Engineering
 Sri Venkateswara College of Engineering
 Pennalur, Sriperumbudur (TK) - 602117.
 Tamilnadu, INDIA.

Faculties watching webinar



Students watching webinar



One Page write up program objectives & Benefits

This international webinar aims to provide knowledge on the Modelling of Mold tool design for Vacuum Thermoforming to the participants. This online webinar provides a platform to connect peers in this field across Tamilnadu. Students, Research Scholars and aspiring faculty members benefited from the real time studies presented by the Speaker.

No.of Internal/external Students participated:

Total No of Participants: : 60 , Internal: 50, External : 5

Total No of Internal students: 36 External students: 2


Total No of Internal faculty: 14 External faculty: 3

The webinar was successfully organized on 25.06.2021 by the Department of Mechanical Engineering, SVCE. This webinar was coordinated by Dr.R.Ramesh, Dr. C.Senthamarai Kannan AP/MEC, and Mr.G.Kirubakaran, AP/MEC. The resource person Sankar Mahalingam, Managing Director, Profenaa Industrial Training Centre, Erode, presented the webinar after the inaugural speech by our Hod, Dr.S.Ramesh babu. Speaker extensively presented the concept “Vacuum thermoform Mold Tooling process” Initially experts discussed why Thermoforming is competing processes in Vacuum Forming. Speech continued with different thermoforming processes, steps involved in it and different kinds of materials used. Further, the speaker demonstrated how to create a Mold tool using Solidworks, the step-by-step hands-on session was highly appreciated by the participants. The event was participated by 60 enthusiastic participants from across Tamilnadu. All the participants who had attended the event and given the feedback were issued with E-certificate.


Dr. R. Ramesh


Dr. C. Senthamarai Kannan


Mr. G Kirubakaran


Dr. S. RAMESH BABU, M.E., Ph.D
Professor & Head
Department of Mechanical Engineering
Sri Venkateswara College of Engineering
Pennalur, Sriperumbudur (TK) - 602117.
Tamilnadu, INDIA.

DEPARTMENT OF MECHANICAL ENGINEERING

Certificate of Participation

This is to certify that

Mr. P. Ramanathan,

AMET Deemed to be University

has successfully participated in the Expert Webinar titled “**Vacuum Thermoform Mold Tool Design**”,
Organised by the **Department of Mechanical Engineering, Sri Venkateswara College of Engineering,
Sriperumbudur** on 24th June, 2021.



**Dr. R. Ramesh
Coordinator**



**Dr. S. Ramesh Babu
Head of the Department**



**Top Ranked Affiliated
Institution in Tamil Nadu**



**5/5 Star Rated
Innovation Cell**



**SMART INDIA
HACKATHON
2020**

**Top
Performer**



**Recognized
Incubation Center**



**ISO Certified
Organization**



Accreditations

Webinar on Vacuum Thermoform Mold Tool Design on 24th June 2021

Email *

iftekharhussainb@gmail.com

Name of the Participant (Use Dr/Mr/Mrs before Your Name) *

Dr. B. IFTEKHAR HUSSAIN

Name of the College *

BAPATLA ENGINEERING COLLEGE

Designation *

Associate Professor ▼

Place *

BAPATLA-522102, GUNTUR DISTRICT, ANDHRA PRADESH

Country *

India

Whatsapp Number *

9966673866

The information presented in the session was useful *

	1	2	3	4	5	
Fair	<input type="radio"/>	<input type="radio"/>	<input type="radio"/>	<input type="radio"/>	<input checked="" type="radio"/>	Excellent

The subject matter was presented effectively *

	1	2	3	4	5	
Strongly Disagree	<input type="radio"/>	<input type="radio"/>	<input type="radio"/>	<input type="radio"/>	<input checked="" type="radio"/>	Strongly Agree

The duration of the session was sufficient to get an overview of the topic *

	1	2	3	4	5	
Strongly Disagree	<input type="radio"/>	<input type="radio"/>	<input type="radio"/>	<input checked="" type="radio"/>	<input type="radio"/>	Strongly Agree

Overall FDP Organisation *

	1	2	3	4	5	
Fair	<input type="radio"/>	<input type="radio"/>	<input type="radio"/>	<input type="radio"/>	<input checked="" type="radio"/>	Excellent

Thank you for your Feedback and you will receive your E-certificate in the given email id shortly.



This form was created inside of Sri Venkateswara College of Engineering.

Google Forms